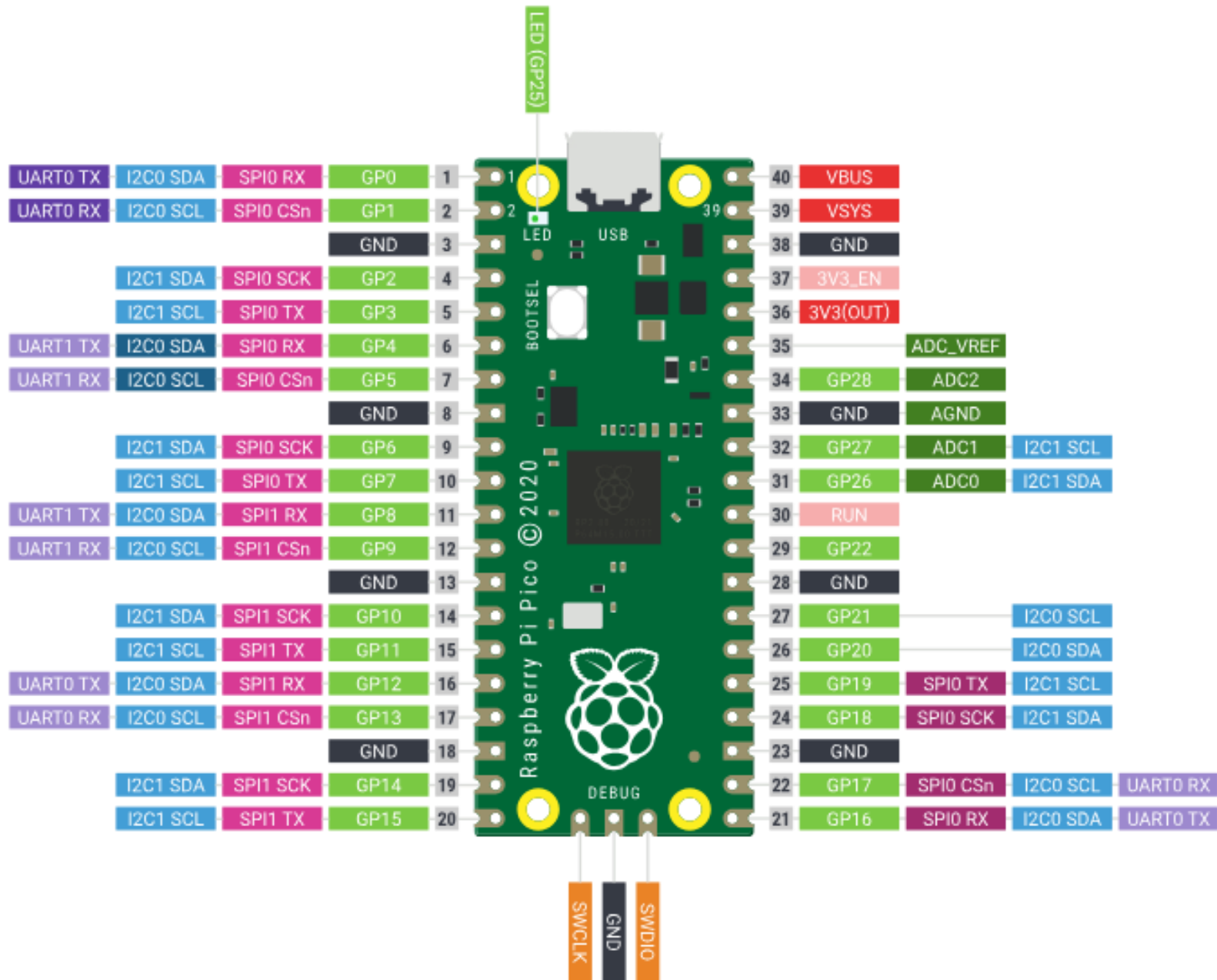
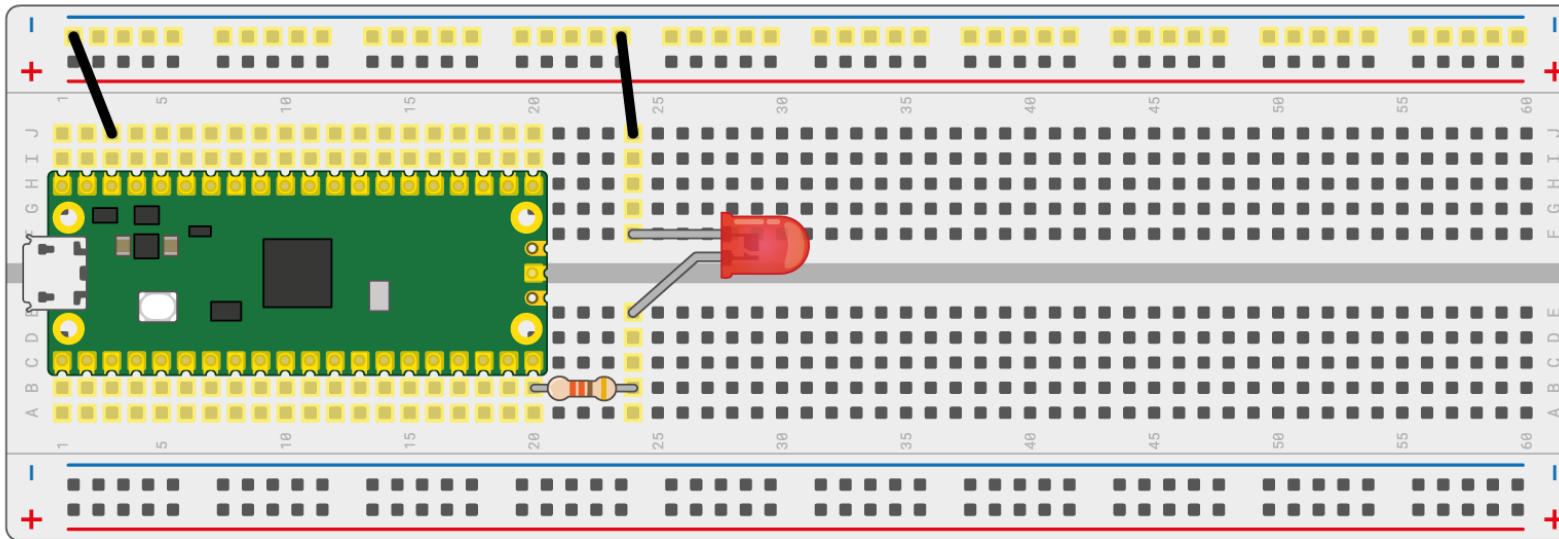


BODGERS

To download the editor, go to: <https://codewith.mu/>



- Power
- Ground
- UART / UART (default)
- GPIO, PIO, and PWM
- ADC
- SPI / SPI (default)
- I2C / I2C (default)
- System Control
- Debugging



```
from machine import Pin
from time import sleep
```

```
led = Pin(16, Pin.OUT)
```

```
while True:
    led.value(1)
    sleep(1)
    led.value(0)
    sleep(1)
```

<https://www.raspberrypi.com/documentation/microcontrollers/raspberry-pi-pico.html>

https://youtu.be/qYqUJC9z2_E?si=QXdPOC1ePdAilzk2

International Morse Code

1. The length of a dot is one unit.
2. A dash is three units.
3. The space between parts of the same letter is one unit.
4. The space between letters is three units.
5. The space between words is seven units.

A ● —
B — ● ● ●
C — ● — ●
D — ● ●
E ●
F ● ● — ●
G — — ●
H ● ● ● ●
I ● ●
J ● — — —
K — ● —
L ● — ● ●
M — —
N — ●
O — — —
P ● — — ●
Q — — ● —
R ● — ●
S ● ● ●
T —

U ● ● —
V ● ● ● —
W ● — —
X — ● ● —
Y — ● — —
Z — — ● ●

1 ● — — — —
2 ● ● — — —
3 ● ● ● — —
4 ● ● ● ● —
5 ● ● ● ● ●
6 — ● ● ● ●
7 — — ● ● ●
8 — — — ● ●
9 — — — — ●
0 — — — — —